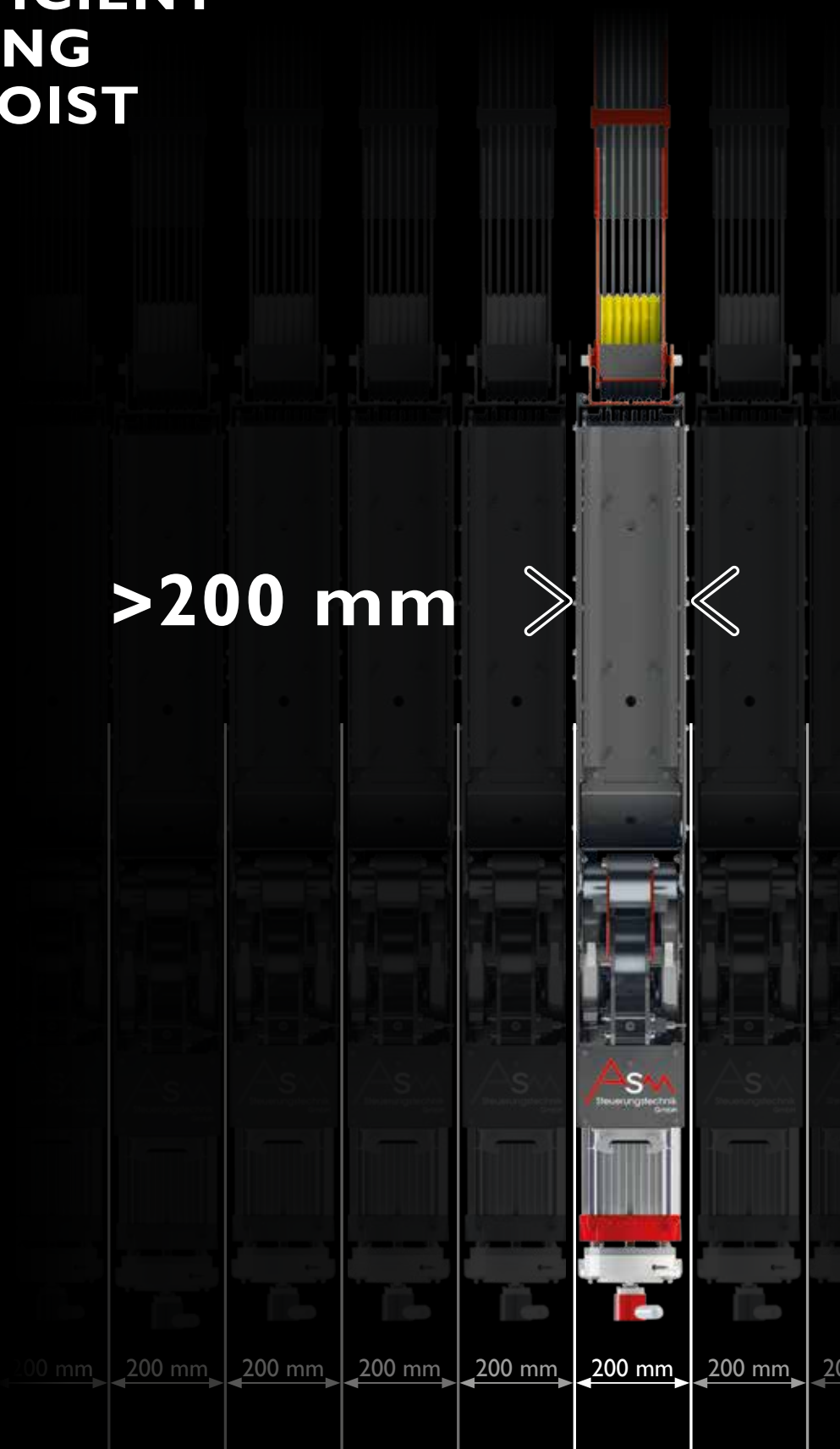


# HCWA

**HIGHLY EFFICIENT  
SPACE SAVING  
SCENERY HOIST**

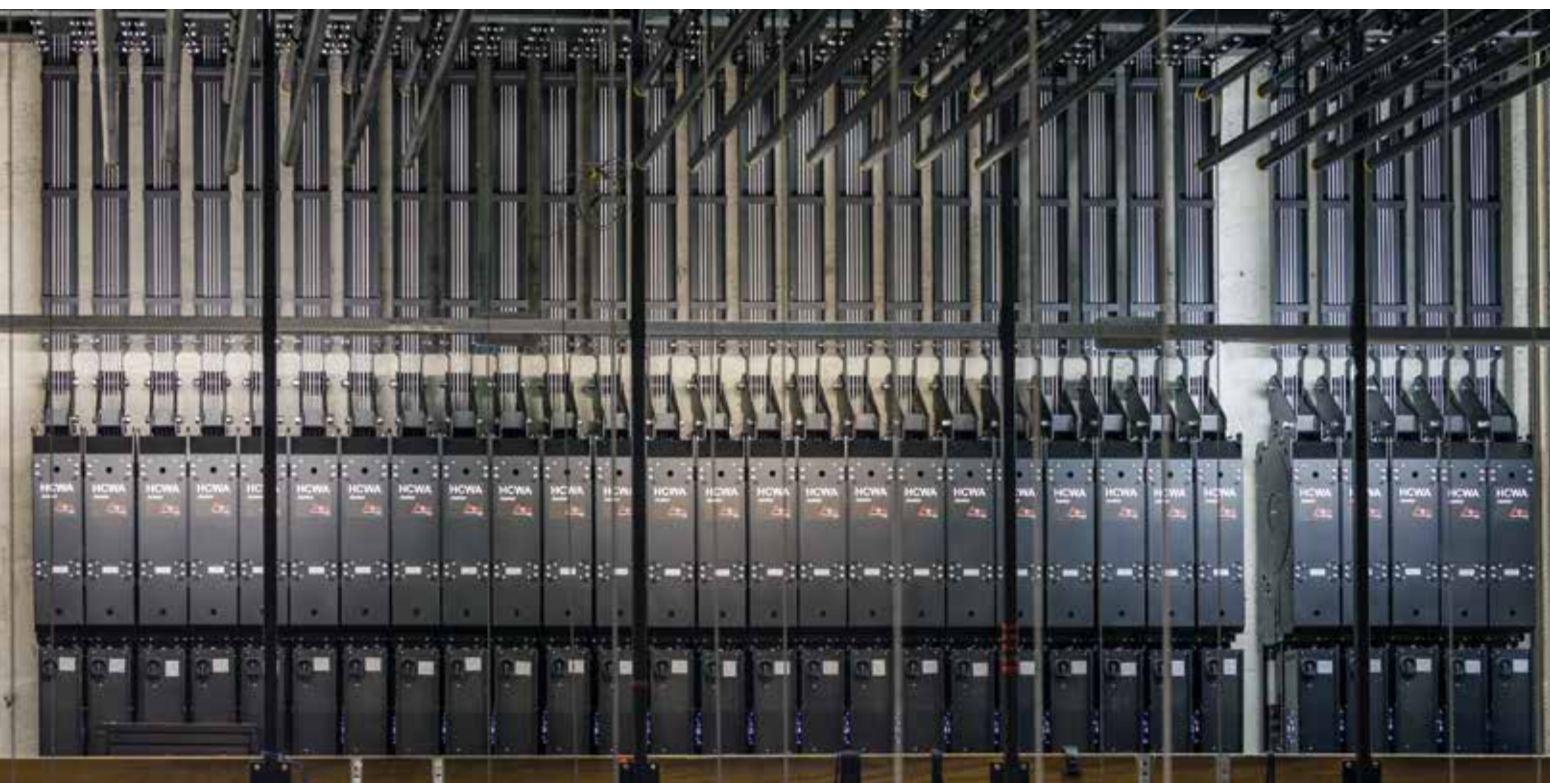
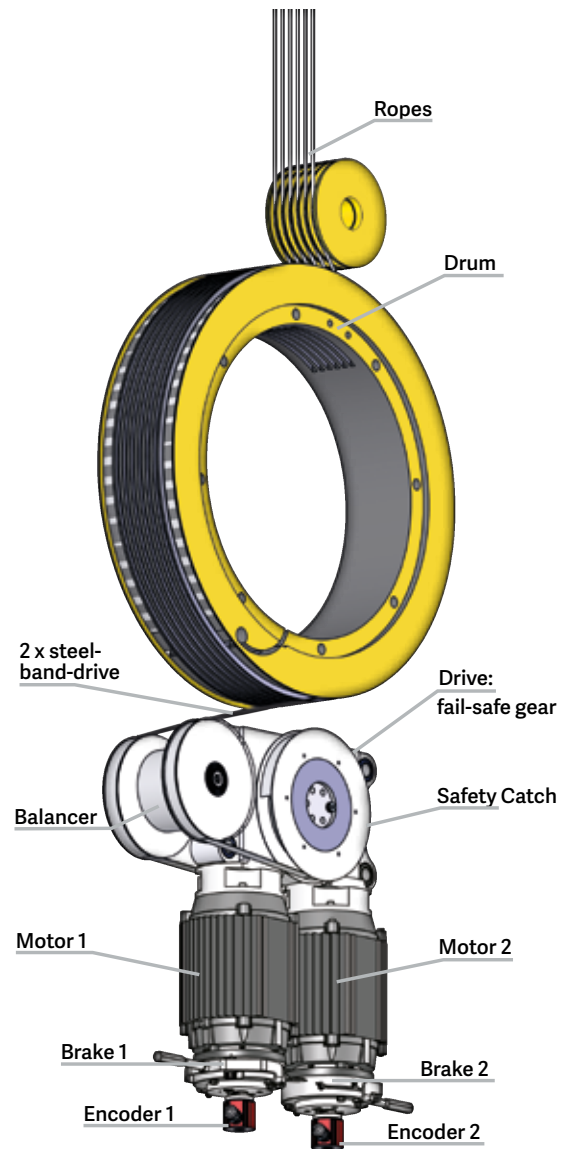
www.asm-stage.de



# FACTS OF THE HCWA-CONSTRUCTION

- Zero fleet winch. No interfering rope angles
- Extremely silent and smooth running rope (long life expectancy) due to cast polyamide drum
- High precision positioning of the load is achieved due to large drum diameter (independent of the load)
- High efficiency, up to 92%
- A steel frame inside the cast polyamide drum prevents drum collapse in event of a fire
- Ropes are fixed to the steel frame of the drum
- The safety catch sets a superior safety standard in the market

## HCWA TwinMaster





# SOME OF OUR MOST RECENT HCWA-INSTALLATIONS

HB Thom Theatre, South Africa



Stadstheater Zoetermeer, The Netherlands



Théâtre Mogador Paris, France



Theater Casino Zug, Switzerland



Stadttheater Langenthal, Switzerland



# ASM HCWA - a unique product with no equal

When the HCWA was designed by ASM engineers their aim was that the theatre counterweight flying set could be easily and effortlessly replaced by a scenery hoist. With the HCWA scenery hoist, ASM engineers designed the narrowest winch in the world, which is also conform of most demanding national and international regulations.

The flexibility of the HCWA range made it a favourite of a lot of theatre consultants and technical directors from around the world. The growing worldwide list of installations is there to prove it.

## SECURITY IS ASM'S DEVELOPMENT POLICY

**SIL3** As the scenery hoist is driven by two independent motors (applies to HCWA Twin master) the reduction gear operates on two channels and thus offers maximum safety. The scenery hoists are designed to stage procedures and norms and standards (DGUV V17 (formerly BGV C1) / SIL3 / DIN 56950). Above that, the HCWA scenery hoist have a safety catch and safety standard that is not attainable elsewhere in the market.

## SILENT DRIVE WITH HEAVILY LOADED ROPES

Depending on design, each winch can move up to 1000 kg with 6 – 12 installed ropes at approximate noise levels of only 45dB(A)1m. Travel of up to 34 meters is possible and realistic. The new HCWA TM HD can even go up to a load of 2000 kg.

## A QUICK AND PRECISE TRAVEL AND STOP

With speeds of up to 2m/sec the HCWA scenery hoist move stage elements with millimetre precision.

## PERFORMING AUTOMATED THEATRE SCENERY HOIST

The HCWA scenery hoist is 50 % lighter than traditional hoists, reducing forces on the stage structures. This gives rise to various installation possibilities and options and creates space for more winches to be positioned.

## FLEXIBLE INSTALLATION OPTIONS

The scenery hoist has not only proven to be a magnificent space saver on fly loft installations, but It also allows for flexible hanging on head pulley structures or on wall installations.

The HCWA range has been developed & designed to allow installation conform most of all local and international safety regulation and in combination of almost all professional controls.

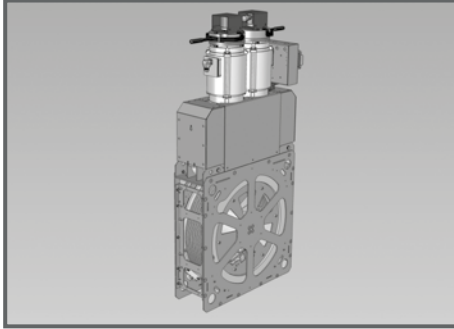




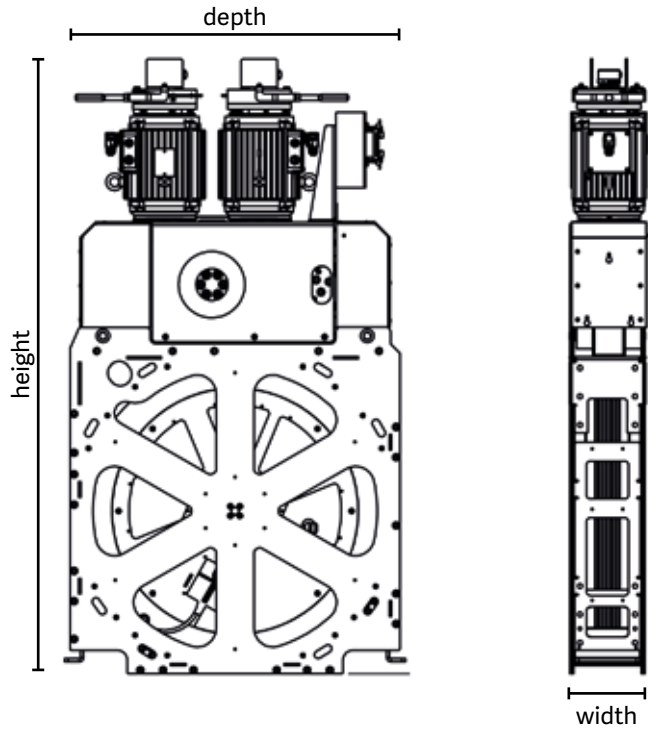
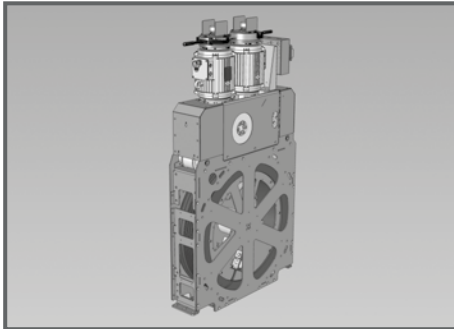
# ASM HCWA TWINMASTER

- Suitable for medium sized and large theatres and venues
- Redundant, two channel safety winch concept with patented double worm gear with safety catch
- International patented drive (steel band gear) of the rope drum by means of two wear-free steel bands
- The International patented balancer evenly distributes the load transmission on both bands (50/50).
- Vibration and swing of the drive is already eliminated in the chassis by means of integral shock absorbers.
- Mechanical coupling of two winches possible

ASM HCWA TM 600



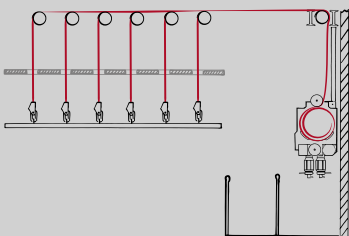
ASM HCWA TM 800



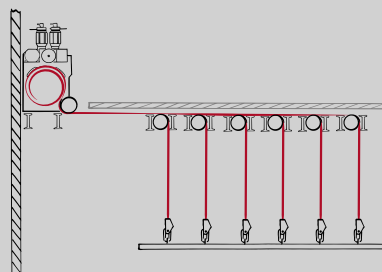
HCWA TWINMASTER	TM 600	TM 700	TM 800	TM 1000
speed (variable)	up to 1,8 m/s*			
number ropes	7*			
Ø ropes	6 mm*			
load capacity	up to 650 kg*		up to 850 kg*	
power	8 kW		11/15 kW	
drum drive	steelband			
safety system	two brakes			
hoisting distance max.	17,5 m	21,0 m	24,5 m	31,0 m
width	197 mm			
height	1.395 mm	1.515 mm	1.625 mm	1.835 mm
depth	685 mm	785 mm	895 mm	1.095 mm

\* More ropes, ropes of a different diameter, higher loads (up to 1000 kg) and different speeds (up to 2m/s) on request.

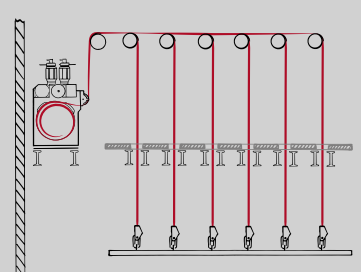
## 1 INSTALLATION OF COUNTERWEIGHT SET REPLACEMENT



## 2 INSTALLATION OF ROPE UNDER THE FLYLOFT



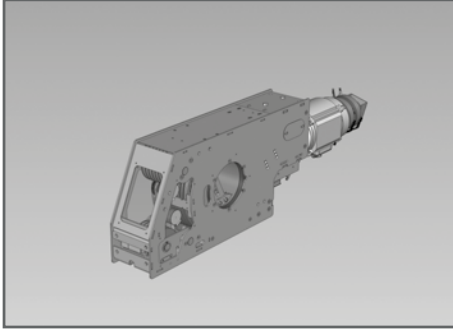
## 3 INSTALLATION WITH ROPE ABOVE THE PULLEY GRID



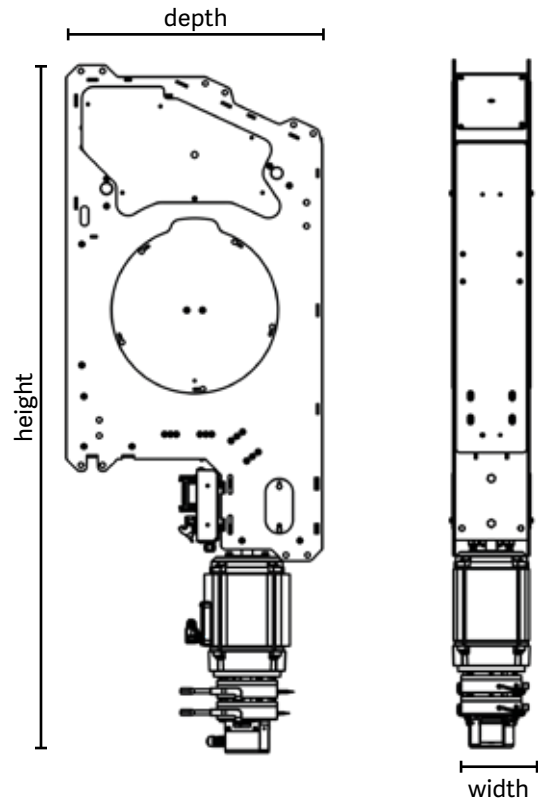
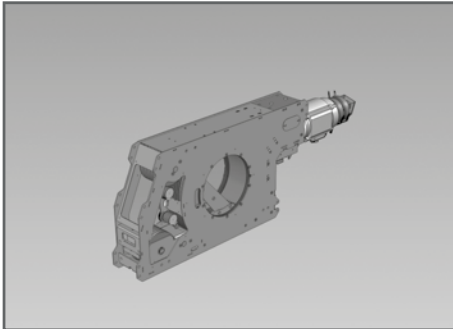
# ASM HCWA JUNIOR

- Economical entrance model suitable for small theatres, rehearsal stages and multipurpose halls
- Extreme compact construction
- Drum drive with two individual chains
- Special chain tensioning system for quiet operation

ASM HCWA JR 400



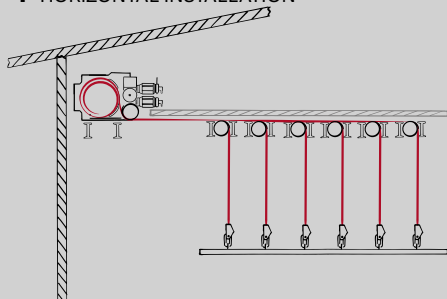
ASM HCWA JR 600



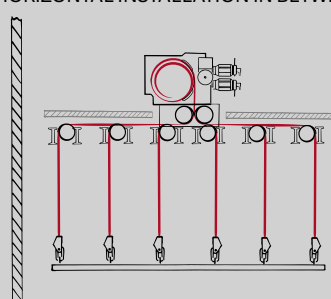
HCWA JUNIOR	JR 400		JR 600	
speed (variable)	0,2 m/s*	0,8 m/s*	0,2 m/s*	0,8 m/s*
number ropes	6*		7*	
∅ ropes	5 mm*		6 mm*	
load capacity	up to 650 kg*			
power	4,0 kW	5,5 kW	4,0 kW	5,5 kW
drum drive	chain			
safety system	self-locking gears	two brakes	self-locking gears	two brakes
hoisting distance max.	11,5 m		17,5 m	
width	197 mm			
height	1.442 mm		1.755 mm	
depth	447 mm		652 mm	

\*More ropes, ropes of a different diameter and higher loads on request.

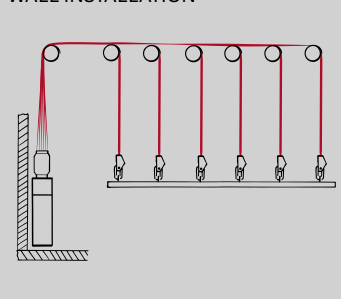
## 4 HORIZONTAL INSTALLATION



## 5 HORIZONTAL INSTALLATION IN BETWEEN LINES



## 6 WALL INSTALLATION

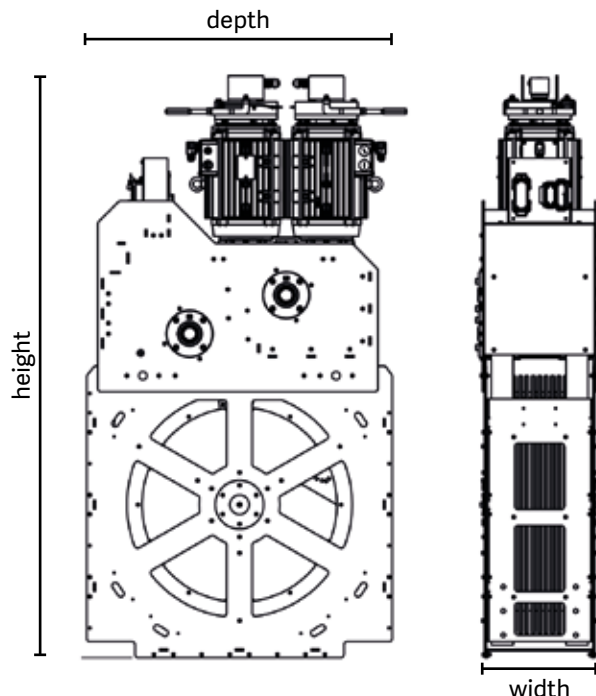


# ASM HCWA HD

- For heavy duty applications in theaters such as lighting bridges, led walls or acoustical shelves
- Redundant, two channel safety winch concept with patented double worm gear with safety catch
- Drum drive with two individual chains
- The international patented balancer evenly distributes the load transmission on both chains (50/50)
- Vibration and swing of the drive is already eliminated in the chassis by means of integrated shock absorbers
- 4000 kg in a double-reeved application

HCWA HD	HD
speed (variable)	up to 0,6 m/s
number ropes	8*
∅ ropes	8 mm
load capacity	up to 2.000 kg
power	15 kW
drum drive	chain
safety system	two brakes
hoisting distance max.	18 m
width	397 mm
height	1.805 mm
depth	949 mm

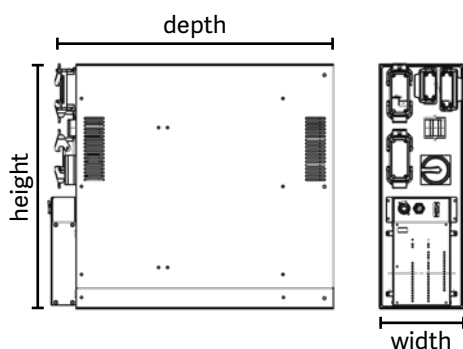
\*More ropes, ropes of a different diameter and longer hoisting distance on request.



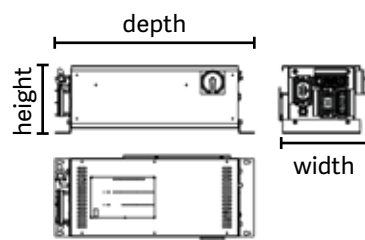
# ASM GENESIS POWERPACKS

The HCWA range has been developed to work with professional control technology suppliers and also with the ASM GENESIS control system. ASM offers for the whole HCWA range a matching hoist-related power electronics in the PowerPack-Form. The ASM GENESIS control, in combination with the HCWA hoists and the PowerPacks make a complete performing SIL 3 control System.

TYP A  
POWER PACK  
15,0 - 22,0 kW



TYP B  
POWER PACK  
5,5 - 7,5 kW



GENESIS POWERPACK	Typ A1	Typ A2	Typ B1	Typ B2
for HCWA hoist	TM 600 / 700	TM 800 / 1000 / HD	JR 400/600 0,2 m/s	JR 400/600 0,8 m/s
frequency converter	15 kW	22 kW	5,5 kW	7,5 kW
for motor power	8 kW	11 kW / 15 kW	4 kW	5,5 kW
power supply	380V - 400V/AC			
	3 Ph + N + PE 50/60 Hz			
current	18 A	25 A / 32 A	9 A	13 A
width	186 mm		243 mm	
height	542 mm		185 mm	
depth	626 mm		549 mm	

# ASM-Technology – Made in Germany

safe chains reliable BGV C1  
steel bands chains reliable safe  
SIL 3  
BGV C1 silent reliable  
SIL 3  
reliable safe  
SIL 3 BGV C1  
steel bands silent DIN 56950  
steel bands steel bands  
safe DIN chains



safe chains steel bands BGV C1  
silent chains reliable safe  
SIL 3  
BGV C1 silent reliable  
SIL 3  
reliable safe  
SIL 3 BGV C1  
steel bands silent DIN 56950  
steel bands steel bands  
chains reliable safe

safe chains reliable BGV C1  
steel bands chains reliable safe  
SIL 3  
BGV C1 silent reliable  
SIL 3  
reliable safe  
SIL 3 BGV C1  
steel bands silent DIN 56950  
steel bands steel bands  
chains reliable safe

The ASM product overview do not show the complete ASM range. ASM is still making traplifts, chandeliers hoists, microphone hoists, single line hoists and other equipment on request.  
Do not hesitate to contact our partners or the ASM team for more information.

All product informations and specifications are subject to change. Version: 2019/HCWA/1/EN



[www.asm-stage.de](http://www.asm-stage.de)